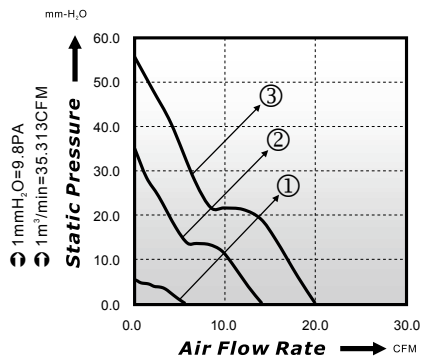


40x40x20mm

■ Model D

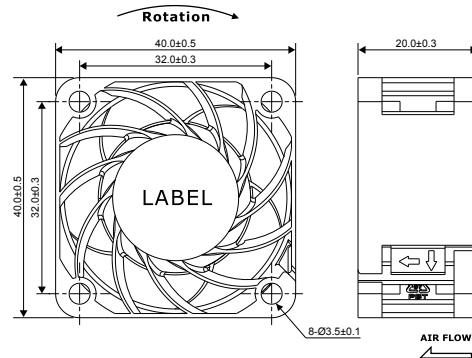


■ P-Q Curve (At Rated Voltage)



■ Dimensions Drawing

Unit: (mm)



Model No	Bearing (*)	Rated Voltage (VDC)	Rated Current (A)	Power Consumption (Watts)	Speed (rpm)	Air Flow (CFM)	Static Pressure (mmH ₂ O)	Noise (dBA)	Curve
ED04020-12LB	●	12	0.16	1.92	6000	5.5	5.4	28.5	1
ED04020-12MB	●	12	0.30	3.60	15000	14.1	35.5	48.5	2
ED04020-12HB	●	12	0.60	7.20	21000	20.0	55.7	56.5	3
ED04020-24LB	●	24	0.08	1.92	6000	5.5	5.4	28.5	1
ED04020-24MB	●	24	0.15	3.60	15000	14.1	35.5	48.5	2
ED04020-24HB	●	24	0.30	7.20	21000	20.0	55.7	56.5	3

* Bearing Type: ○ Sleeve ● Two Ball ⊖ Hydro-Dynamic